



LOC-Office Key Specification

V1.5



Product Description

Description: LOC-Office Key Specification

Factory address

Name: Scemtec Automation GmbH

Street: Auf'm Angst 3

Postcode City: 42553 Velbert

Telephone: 02053 / 4936 - 0

Fax: 02053 / 4936 - 49

E-Mail: info@scemtecautomation.de
info@locatesolution.de

Internet address: www.scemtecautomation.de
www.locatesolution.de

Support

Address see above

Document Details

Manual nr.: V1.5

Creation date: 02.07.2007/RC

1.0 TOC - Table of content

1.0 TOC - Table of content.....	3
2.0 Description	4
2.1 Safety instructions.....	4
2.2 LOC-Office Key.....	5
2.2.1 Item number	6
3.0 Specification LOC-Office Key	7
4.0 Dimension	8

2.0 Description

2.1 Safety instructions

This instruction contains useful information for the assembly, operation and administration of the LOC-Office Key.

Please read this instruction mindful before you start with the assembly and the operations.

Owner and User have to allude to follow this information. There is no guarantee at non-observance of this instruction for the LOC System. The assembly and the operation have to execute only by skilled personnel.

The LOC-Office Key is designed and built under observance of safety-related rules. The Safety is dependent on the correct installation! The installation of the electronic components and have to execute with much accuracy, spoiled components creates a breakdown on the whole system. Affirm you that every component is undamaged. Damaged components may not used.

At property damage, consequential damage or personal injury, which is based on non-observance of these instruction or faulty use, expires the guarantee.

The component has to protect against clamminess. The LOC-Office Key is not able for Areas with high humidity or chemical matters.

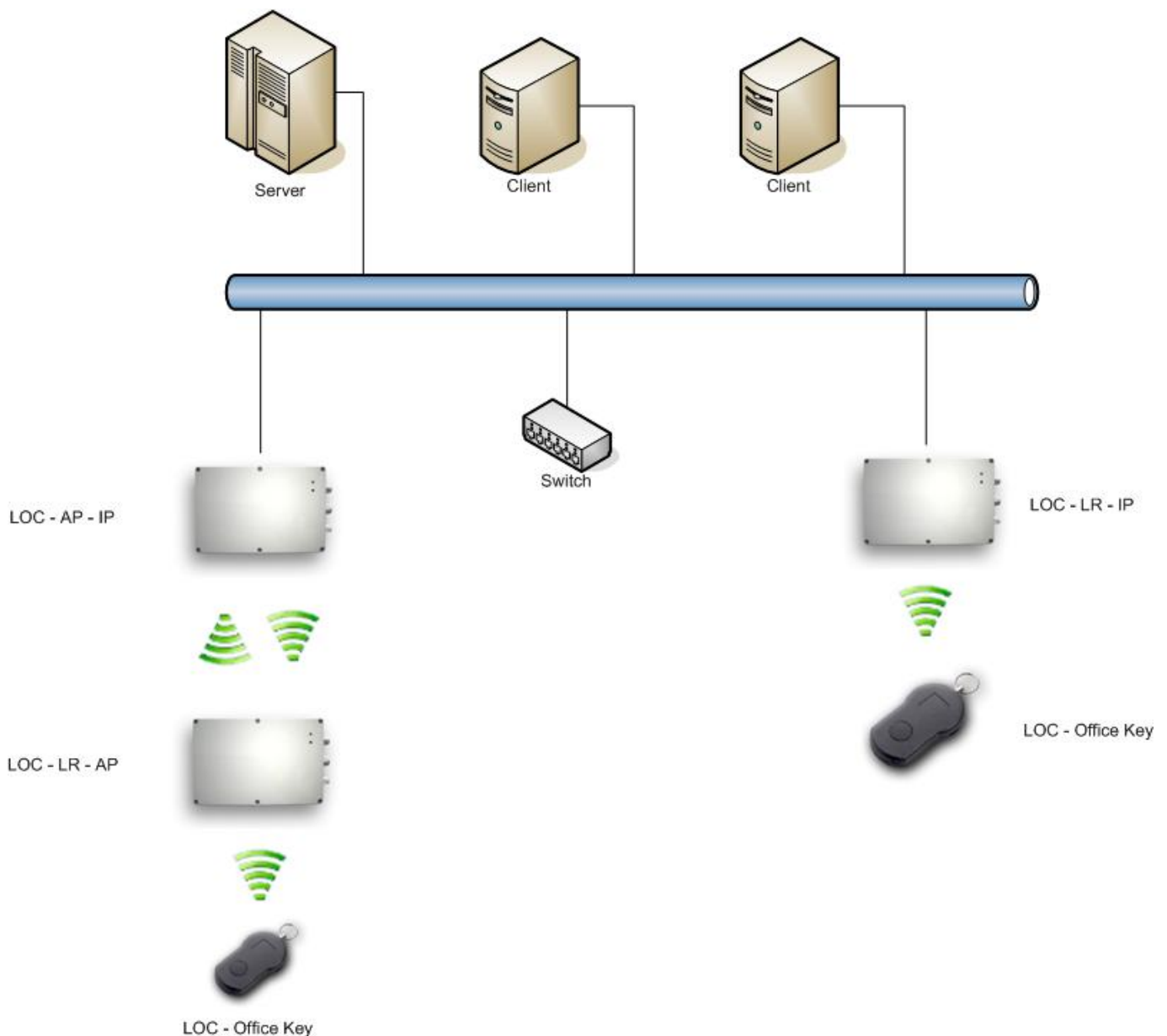
All pictures-, product-, dimension- and execution data of this instruction is at the day of publication up-to-date of the development. This product subjects a permanent update process. In the acceptance of your contentment, we reserved the changed of our product.

At frictions or queries, please contact us.

2.2 LOC-Office Key

The LOC-Office Key is the identification in the LOC Pro system. He communicates with the Reader and exchanges data. These data exchange is at uplink over 125kHz and at downlink over 868 MHz. The Reader checks the ID from the LOC-Office Key which is nonrecurring and the separate rights from the server if the Reader is set as a Doorterminal. If the Reader is set as a LOC-LR-AP the server gets only the data which Key arrives which Reader (Tracking). A 3V Lithium battery provides the LOC-Office Key and he owns a backup function that the Reader can read the transponder over the passive way with the same identification if the battery is flat.

To add the LOC-Office Key in the LOC Pro system, please look at the instruction for the LOC Pro Software.



2.2.1 Item number

The item number is needed for the ordering process. The product can be configured in different variations for customer requirements. The item numbers are consisting of the configurations.

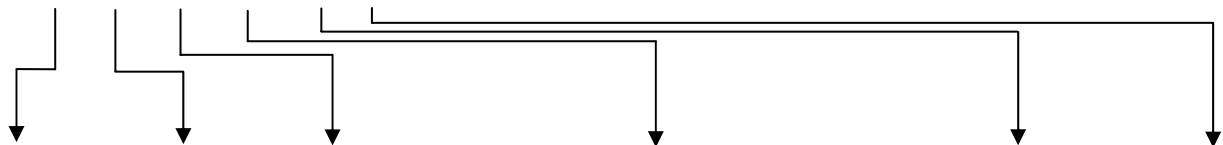
Please observe:

The Field with the default value "xxx", is according to the Firmware number. Please fill into this Field "xxx", if you ordering new items. You have to fill your available number inside the Firmware field, if you are reordering some items. You have to inscribe for example the Firmware "2.25", the number "225".

Item number

101	xxx	Frequency (1 Choice)	Case (1 Choice)	01	00
		<input type="checkbox"/> 01 - 868MHz <input type="checkbox"/> 02 - 916MHz	<input type="checkbox"/> 01 - Office Key case without button <input type="checkbox"/> 06 - Office Key case with button		

Example: 101 . 204 . 01 . 06 . 01 . 00



101	xxx	Frequency (1 Choice)	Case (1 Choice)	01	00
		<input checked="" type="checkbox"/> 01 - 868MHz <input type="checkbox"/> 02 - 916MHz	<input type="checkbox"/> 01 - Office Key case without button <input checked="" type="checkbox"/> 06 - Office Key case with button		

This configuration would be a LOC-Office Key in the Version 2.04. The data would receive over an 868MHz connection and the device is in an Office Key case with a button. A CR2032 3V Lithium battery supplies the device and the data would send over a HF (868MHz) connection.

The following tables are showing the configuration with the accordant item number.

LOC-Alarm Key 868MHz:

Case	Battery	Item number
Office Key case without button	CR2032	101.204.01.01.01.00
Office Key case with button	CR2032	101.204.01.06.01.00

LOC-Alarm Key 916MHz:

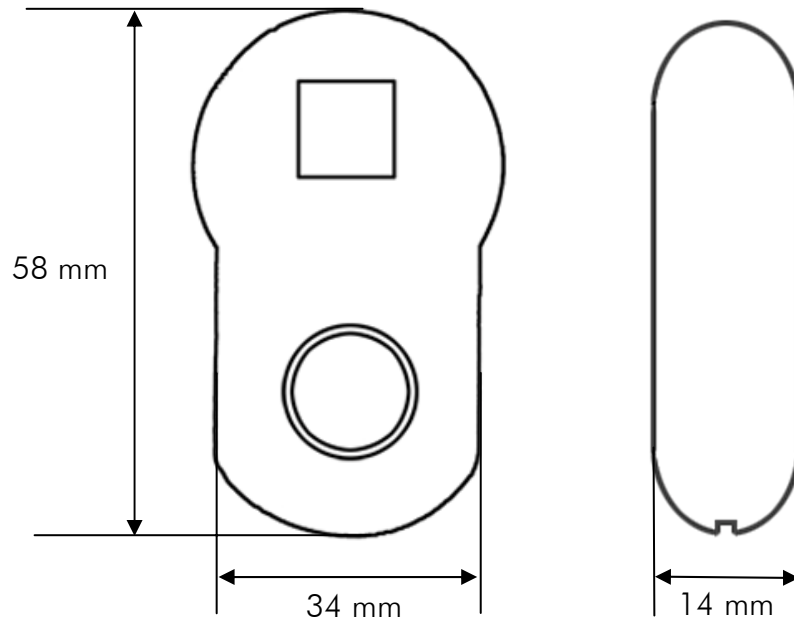
Case	Battery	Item number
Office Key case without button	CR2032	101.204.02.01.01.00
Office Key case with button	CR2032	101.204.02.06.01.00

3.0 Specification LOC-Office Key

Power Supply	3V Lithium Batterie, CR2032
Data receive (Uplink)	125 KHz, 3D receive
Data send (Downlink)	868 MHz ASK
Temperature area	-20°C ... +70°C
passive Transponder	TagLite 4079

Subject to alteration

4.0 Dimension



Dimension: 34 x 58 x 14 (WxHxD)