



LOC-SR-AP Specification

V1.4



Product Description

Description: LOC-SR-AP Specification

Factory address

Name: Scemtec Automation GmbH
Street: Auf'm Angst 3
Postcode City: 42553 Velbert
Telephone: 02053 / 4936 - 0
Fax: 02053 / 4936 - 49
E-Mail: info@scemtecautomation.de
info@locatesolution.de
Internet address: www.scemtecautomation.de
www.locatesolution.de

Support

Address see above

Document Details

Manual nr.: V1.4
Creation date: 18.07.2007

1.0 TOC- Table of Content

1.0 TOC- Table of Content.....	3
2.0 Description	4
2.1 Safety instructions.....	4
2.2 LOC-SR-AP	5
2.2.1 Item number	6
3.0 Specification LOC-SR-AP.....	7
4.0 Position plan	8
5.0 Dimension Sheet	9
5.1 Open the Cage	9
5.2 Dimension.....	9
6.0 Power supply.....	10
6.1 Plugin power supply ESC5-12	10
6.2 USB Port	11

2.0 Description

2.1 Safety instructions

This instruction contains useful information for the assembly, operation and administration of the LOC-SR-AP.

Please read this instruction mindful before you start with the assembly and the operations.

Owner and User have to allude to follow this information. There is no guarantee at non-observance of this instruction for the LOC System. The assembly and the operation have to execute only by skilled personnel.

The LOC-SR-AP is designed and built under observance of safety-related rules. The Safety is dependent on the correct installation! The installation of the electronic components and the laying of cables have to execute with much accuracy, because defect cables or spoiled components creates a breakdown on the whole system. Affirm you that every component is undamaged. Damaged components may not used.

At property damage, consequential damage or personal injury, which is based on non-observance of these instruction or faulty use, expires the guarantee.

The components have to protect against clamminess. The LOC-SR-AP is not able for Areas with high humidity or chemical matters.

All pictures-, product-, dimension- and execution data of this instruction is at the day of publication up-to-date of the development. These products subject a permanent update process. In the acceptance of your contentment, we reserved the changed of our product.

At frictions or queries, please contact us.

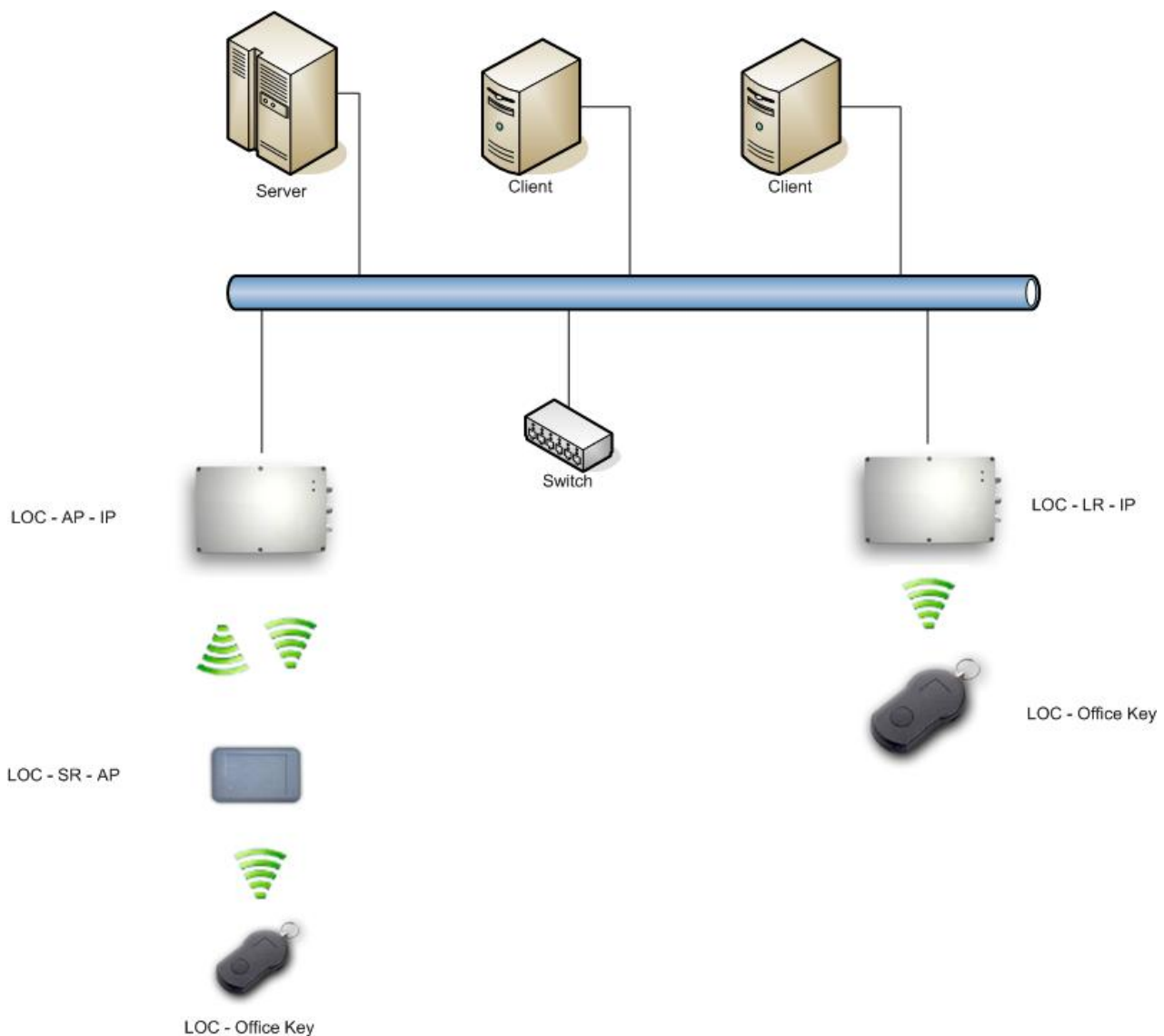
2.2 LOC-SR-AP

The Reader creates a circular low Frequency Field, to secure the adjustable Area. The Range of the Field is adjustable in the LOC Config and LOC Pro Software in three steps to a maximum of 1.2 metres.

If the LOC - Office Key enters the magnetic cyclically field the Transponder sends the ID over 868Mhz to the LOC-SR-AP and the blue LED expires for 100ms. The LOC-AP-IP gets these ID from the LOC-SR-AP over the 868MHz connection (Tracking Function), and the LOC-AP-IP sends the Data over the TCP/IP connection to the Database (Server). If no the LOC-SR-AP can't connect to the LOC-AP-IP, the blue LED expires for 500ms.

For flash the LOC-SR-AP have to set into the flash mode. This mode can be set with the LOC Config Software or with a bridge between two contacts (Position plan). The LOC-SR-AP will be restart automatically after the flash was successful. If the contacts were bridged you have to set the bridge again to restart the device.

The LOC-SR-AP can be configured over the USB Port.



2.2.1 Item number

The item number is needed for the ordering process. The product can be configured in different variations for customer requirements. The item numbers are consisting of the configurations.

Please observe:

The Field with the default value „xxx“, is accordant to the Firmware number. Please fill into this Field “xxx”, if you ordering new items. You have to fill your available number inside the Firmware field, if you are reordering some items. You have to inscribe for example the Firmware “2.25”, the number “225”.

Item number

201	xxx	Frequency (1 Choice)	08	Power supply (1 Choice)	01
		<input type="checkbox"/> 01 - 868MHz <input type="checkbox"/> 02 - 916MHz			<input type="checkbox"/> 00 - no power plugin <input type="checkbox"/> 11 - 6W plugin power supply 230V/12V/6W

Example:

201 . 204 . 01 . 08 . 11 . 01

201	204	Frequency (1 Choice)	08	Power supply (1 Choice)	01
		<input checked="" type="checkbox"/> 01 - 868MHz <input type="checkbox"/> 02 - 916MHz			<input type="checkbox"/> 00 - no power plugin <input checked="" type="checkbox"/> 11 - 6W plugin power supply 230V/12V/6W

This configuration would be a LOC-SR-AP in the Version 2.04. The data would receive over an 868MHz connection and the device is in a Short Range Reader case with a USB-Port a power supply port. A 230V/12V/6W plugin power supply supplies the device and the data would send over a HF (868MHz) connection.

Please use the desired item number to advance the order transaction.

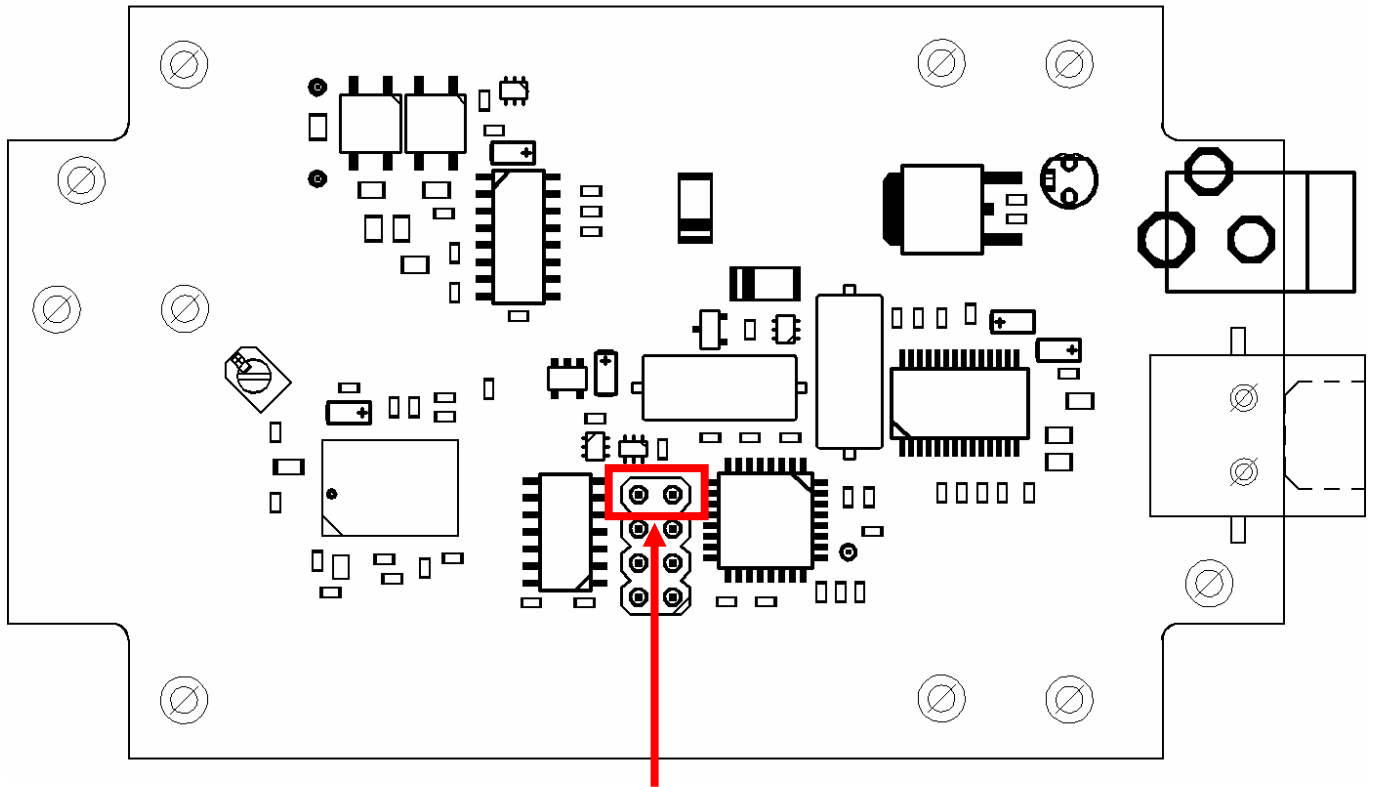
SR - AP type	Power supply	Item number
SR - AP 868MHz		201.204.01.08.00.01
	6W wall power supply	201.204.01.08.11.01
SR - AP 916MHz		201.204.02.08.00.01
	6W wall power supply	201.204.02.08.11.01

3.0 Specification LOC-SR-AP

LFTechnics	
LF - low frequency	125kHz
Low frequency range with rectangle antenna in the Cage cap,spherical radiation	ca. 0,3m / 0,6m / 1,2m Radius
Kind of communication	unidirectional
HF-Technics	
Radio frequency	868MHz (MHz (free of charge ISM Band) -> alternative 916MHz)
Radio range	up to 20 Meters in open ambience
Kind of communication	bidirectional
Power supply	
Operational voltage typ.	12V =
Operational voltage min.	8V =
Operational voltage max.	13V =
Charging rate at 12 Volt DC	150 mA
Interface	
Interface	USB
Systemmemory	
Anzahl der Transponder LOC - LR - AP	unlimited
Case	
Dimensions (W x H x D)	68mm x 108mm x 22mm
Protection Category	IP32
Color	black
Material	PMMA
Weight	105g
Temperature	0 °C ... + 70 °C

Subject to alteration.

4.0 Position plan



Bridge, to set into flashmode

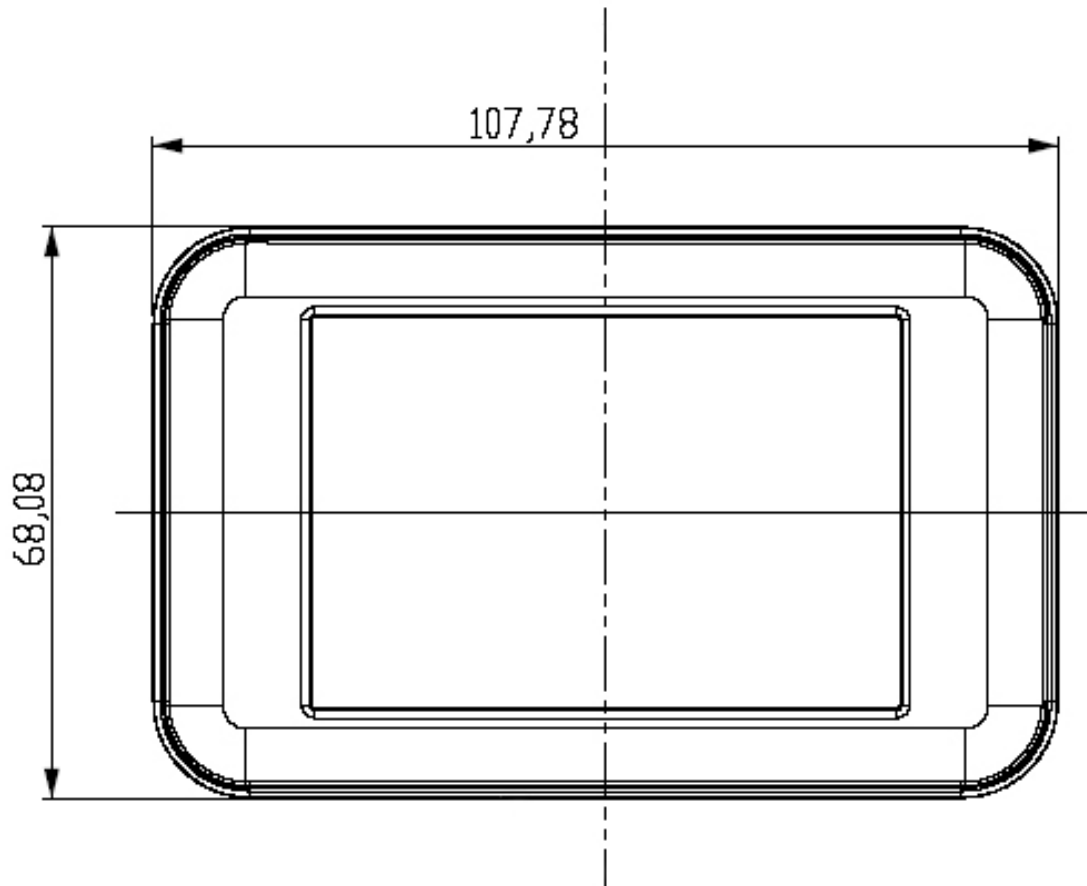
5.0 Dimension Sheet

5.1 Open the Cage



The 4 caps have to remove from the base of the LOC - SR - AP to open the cage. The 4 drills under the caps have to drill off the case after the remove of the 4 caps.
At last, pull the cage slowly apart and you have the base with the centrepiece and the top of the case in two pieces.

5.2 Dimension



6.0 Power supply

6.1 Plugin power supply ESC5-12

Input

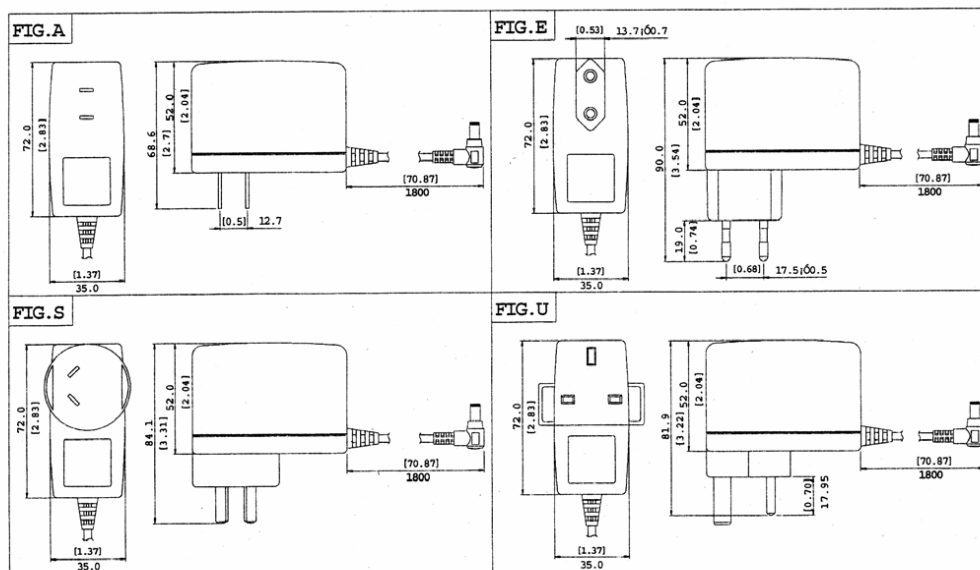
Input voltage range	100-240 VAC
Input frequency	47~63Hz
Input current	0,5A max.
Inrush current	30A max./264VAC

Output

Output voltage	12VDC
Current limiting	Hick-Up
Outputvoltage accuracy	±0,3Vdc
Line regulation	±1%
Ripple & noise (p-p)	1% peak to peak
Hold up time	10ms typ./115VAC
Over current protection	Constant current type

Environment

Ambient temperature operating	0°C ~ +40°C
Storage temperature	-20°C ~ +85°C
Short circuit protection	Continous (auto recovery)
Insulation voltage	Input / output 3kV, each unit, acc. to EN60950
EMI	CISPR-FCC-B
Plug input	Standard = Europlug 2 pin
Plug output	ca 1,8m double wired cable with DC plug 2,1x5,5x12
Dimensions	72x52x35mm (WxHxD)
Weight	130g



6.2 USB Port

The LOC-SR-AP can be connected with the USB Port of a PC to support the device with a power supply. You have to connect the LOC-SR-AP with a USB cable to the PC to realise the power supply over the USB Port of a PC.